

SAMURAI

UV LASER MARKING SYSTEM

DPSS Lasers introduces the Samurai Laser Marking System. It is the first marking system specifically designed for UV lasers at 355 nm. It takes advantage of the short UV wavelength to provide a small spot size and a large depth of focus. UV lasers take advantage of the cold marking process not requiring high average powers and allowing damage free marking on many materials. The Samurai marking system is also capable of UV ablation and engraving of many materials.

355 nm



FEATURES:

- Small spot sizes
- Cold UV Marking
- Easy to use software
- Fast scanning speeds
- Proven Scanning Technology
- Integrated UV Marking Solution
- Large work area with large depth of focus
- < 700 Watt single phase utility required
- Field proven model 3500 Series 355 nm laser
- Materials which can be marked, engraved, scribed, cut or drilled includes: wires, metals, sapphire, glass, diamond, polyamides, PCBs, coatings, ITO removal, silicon wafers, ceramics, plastics, fiber, paper, etc.

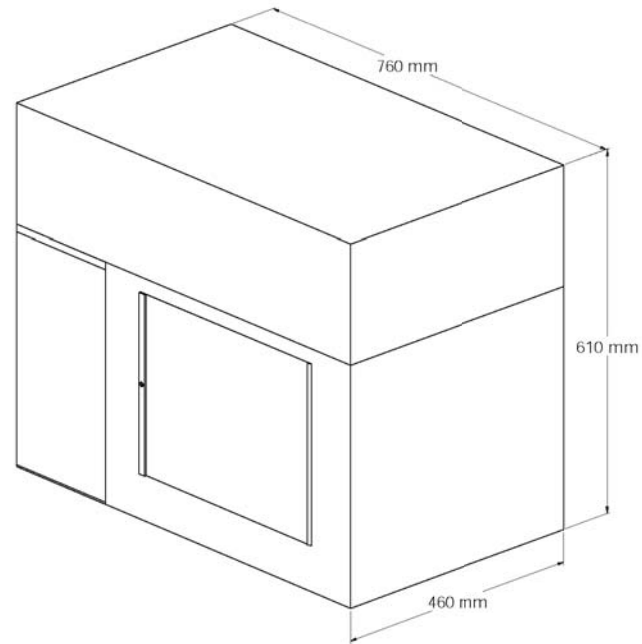
Marking Specifications

	<u>STANDARD</u>	<u>CUSTOM RANGE</u>
Marking Area (Diameter)	75 mm	up to 170 mm
Smallest available spot size	< 25 μm	down to 6 μm
Drawing Speed	300 mm/s	up to 2 m/s
Peak Power Density	300 MW/cm ²	up to 10 GW/cm ²
Power Control	Mechanical	Electronic available

Laser Specification

Laser Technology	Frequency Tripled DPSS Laser
Laser Type	Nd:YVO ₄ laser - 3500 Series
Wavelength	355 nm

	<u>STANDARD</u>	<u>CUSTOM RANGE</u>
Average Power	1 W	up to 2 W
Pulse Frequency	30 kHz	30 - 100 kHz
Pulse Length	25 ns	25 - 70 ns
Pulse Energy	30 μJ	up to 70 μJ
Peak Power	1.5 kW	0.1 - 3.0 kW
Pulse Stability	< 5%	< 5%

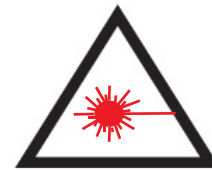


Dimensions

	Width	Depth	Height
Marking Enclosure (mm)	760	460	610
Marking Chamber (mm)	560	460	410

Utilities

Input Voltage	100 - 250 VAC/ 50 - 60 Hz
Power Consumption	< 700 W



VISIBLE AND INVISIBLE LASER RADIATION. AVOID EYE OR SKIN EXPOSURE TO DIRECT OR SCATTERED RADIATION.
355nm, 4W MAX. 150 μJ MAX.
CLASS IV LASER PRODUCT

 **DPSS Lasers Inc.**

2525 Walsh Ave.
Santa Clara, CA 95051
United States

Sales@DPSS-Lasers.com
www.DPSS-Lasers.com

Phone 408.988.4300
Fax 408.988.4305